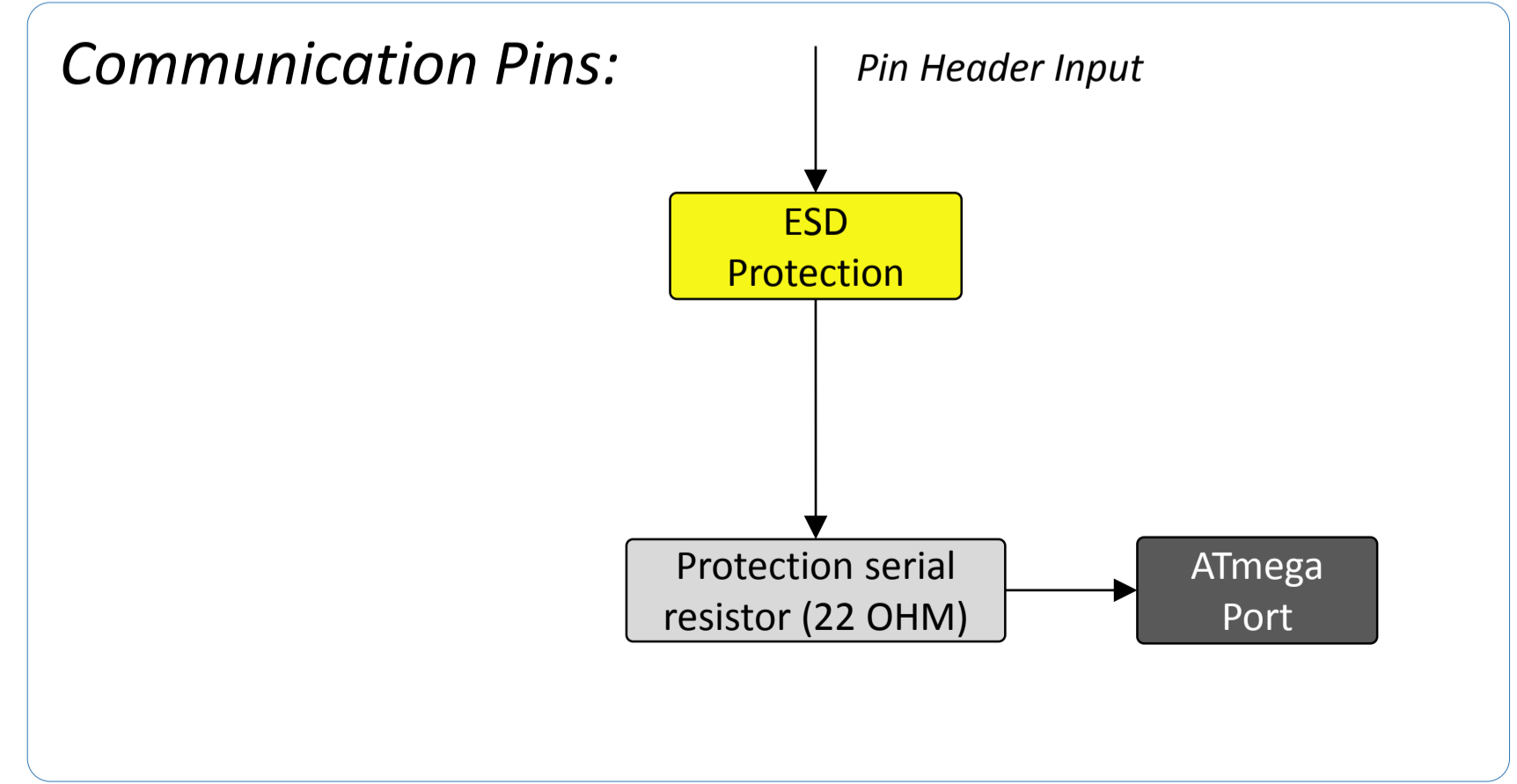
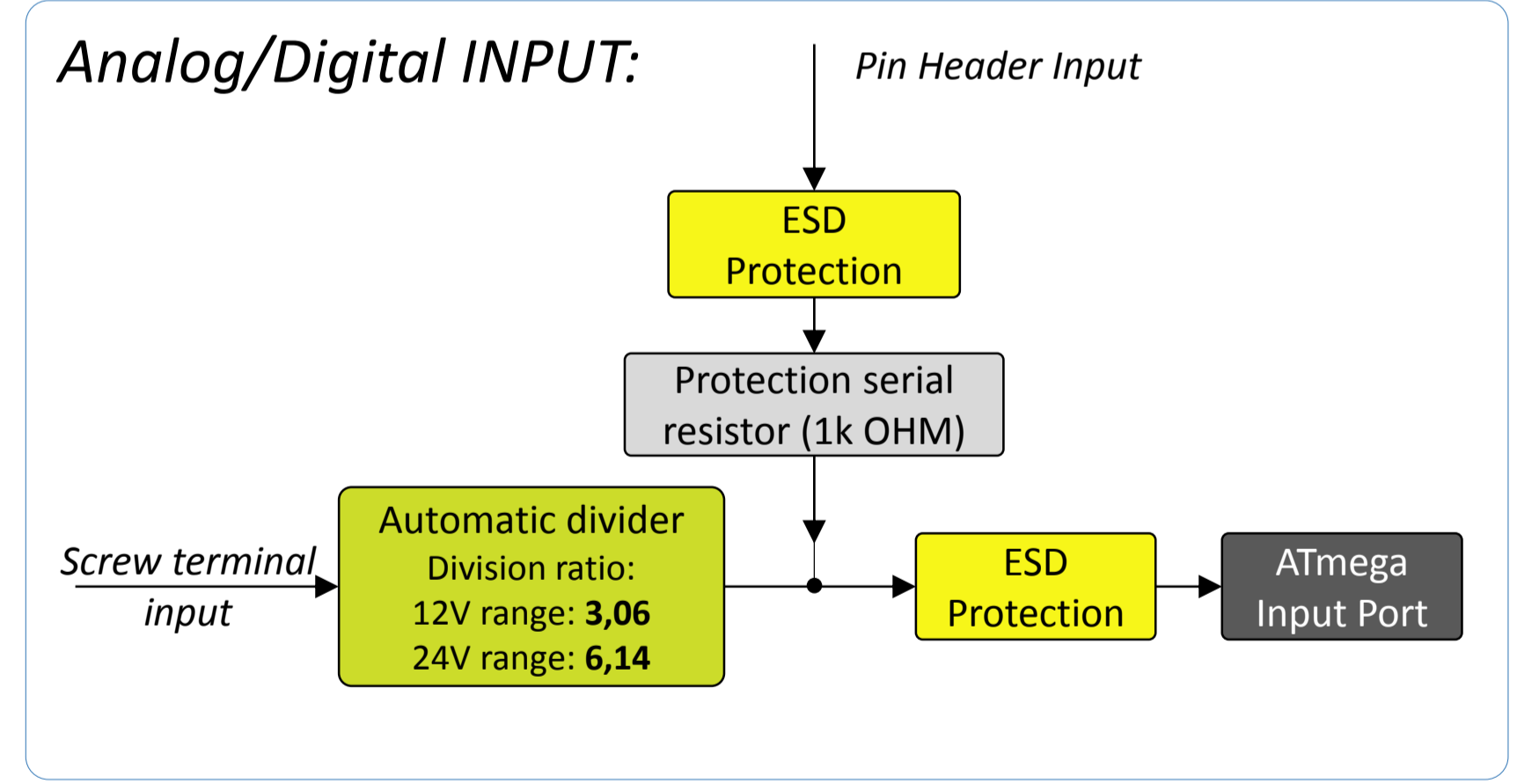
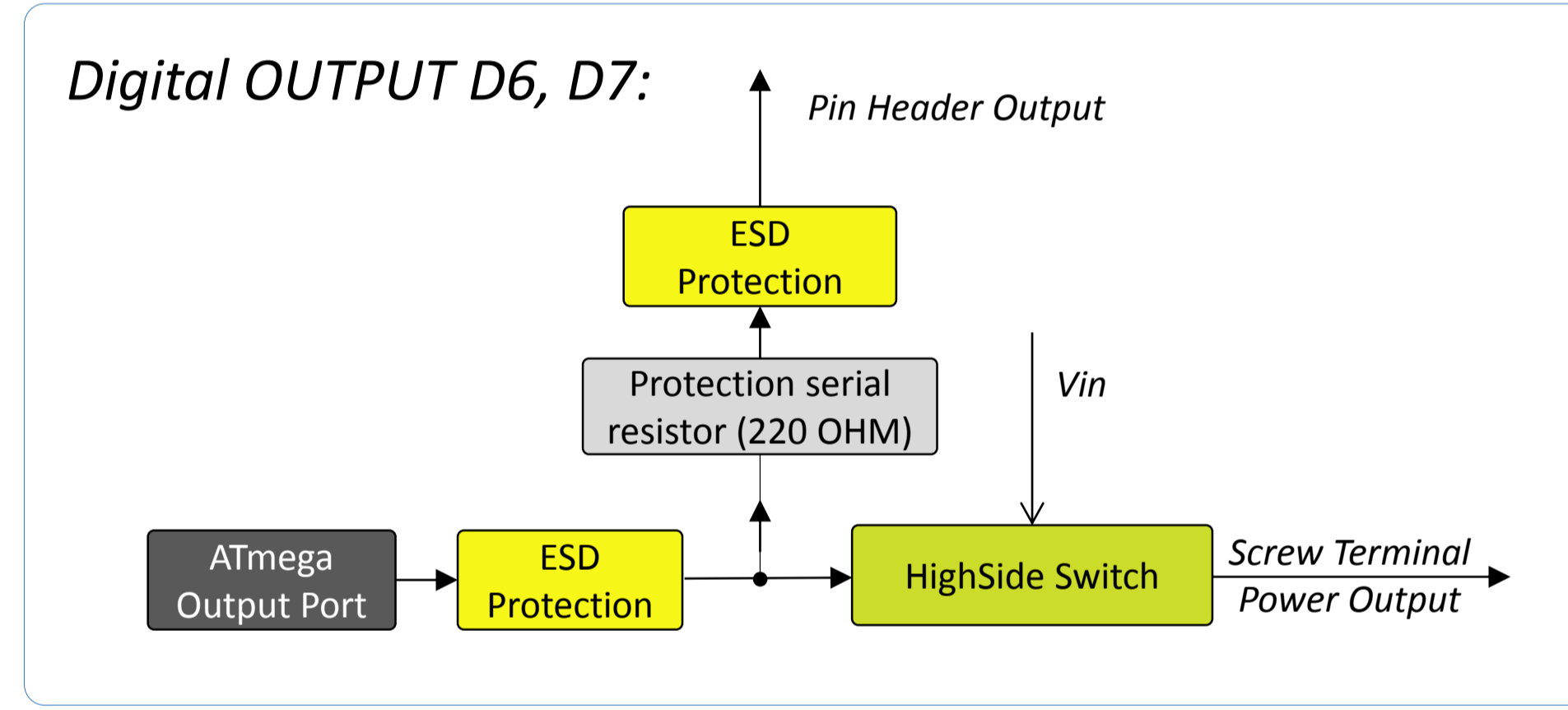
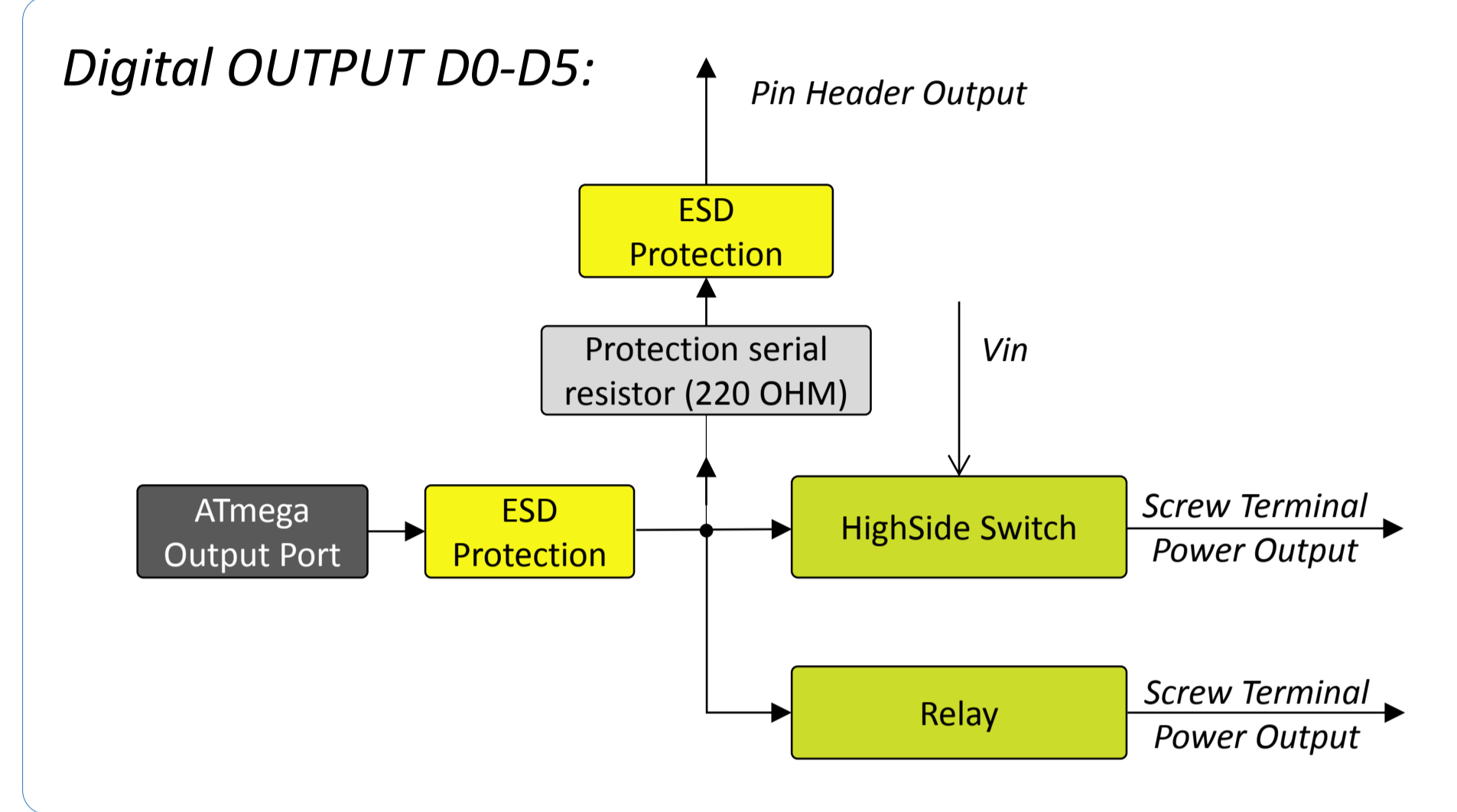
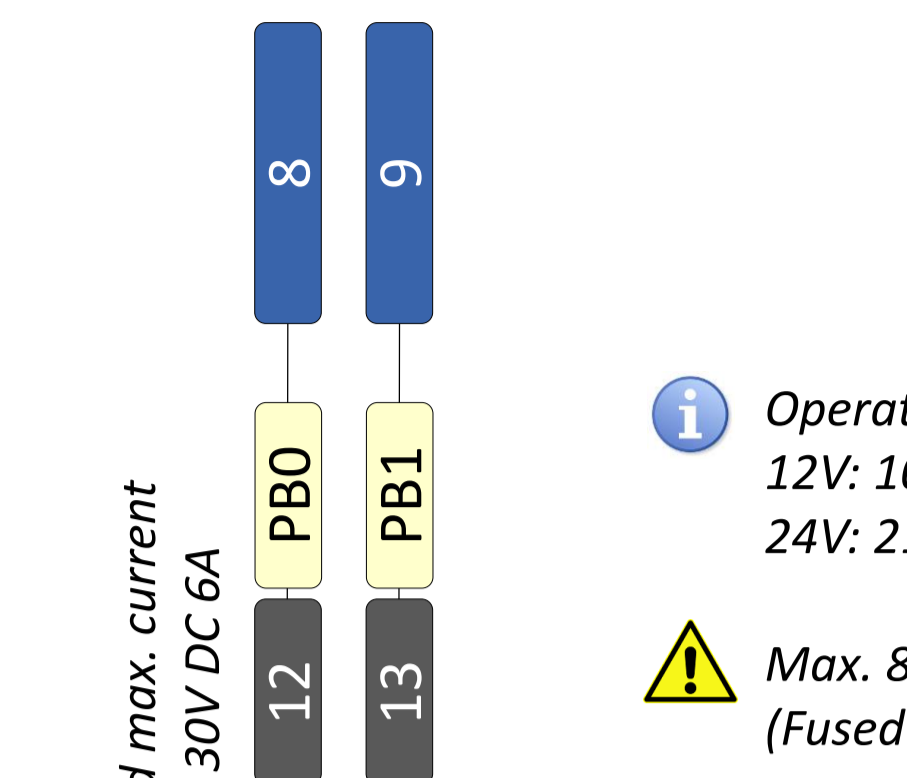
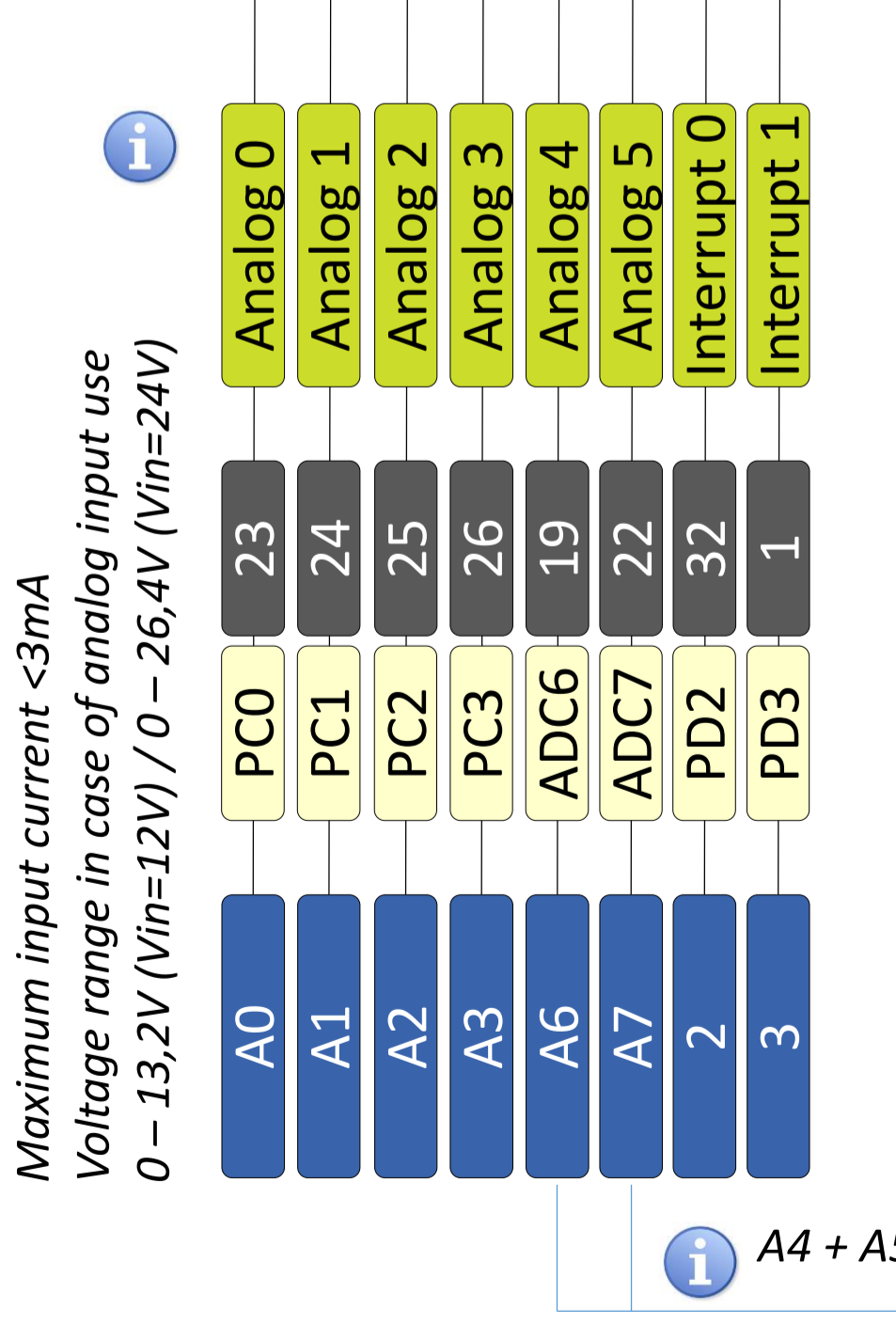
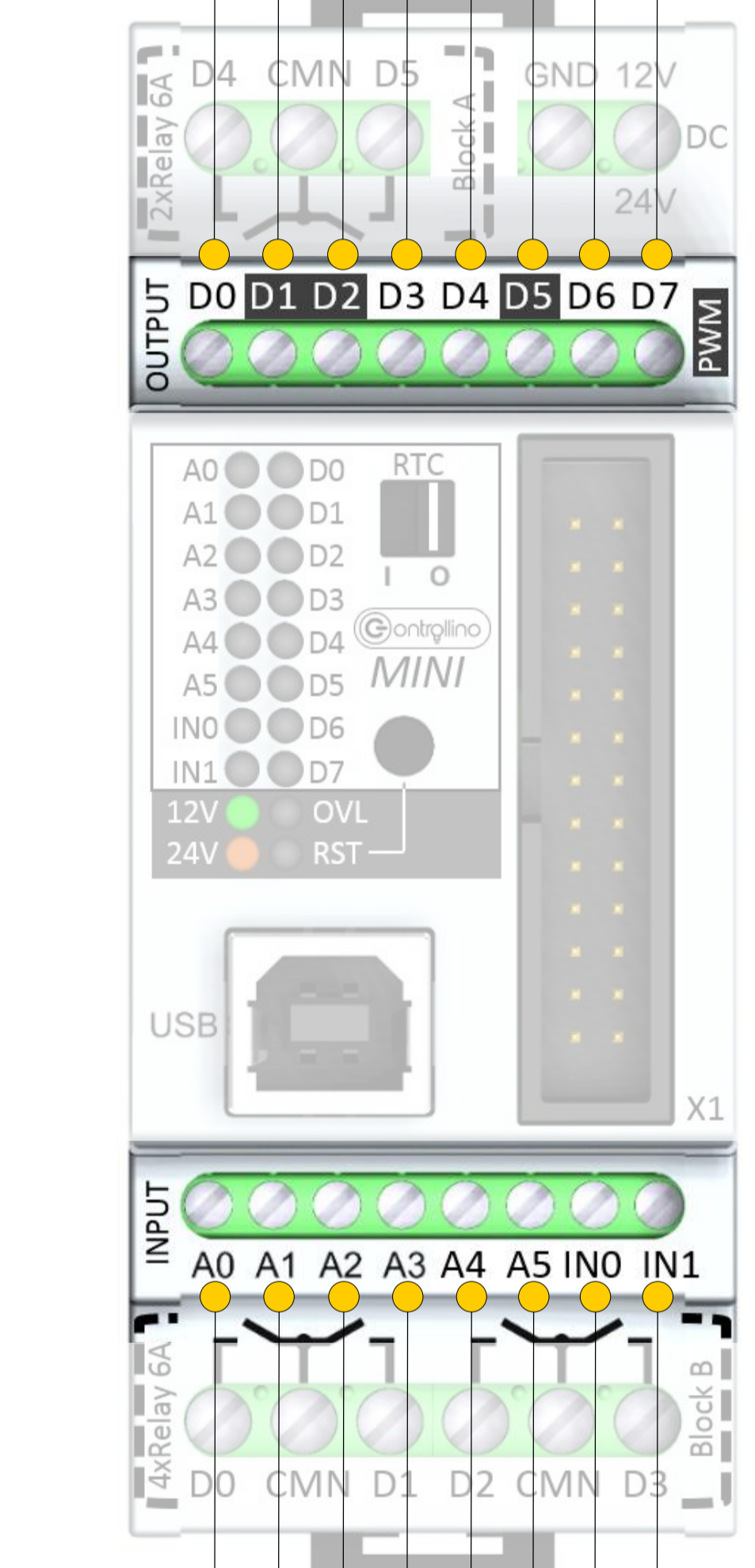
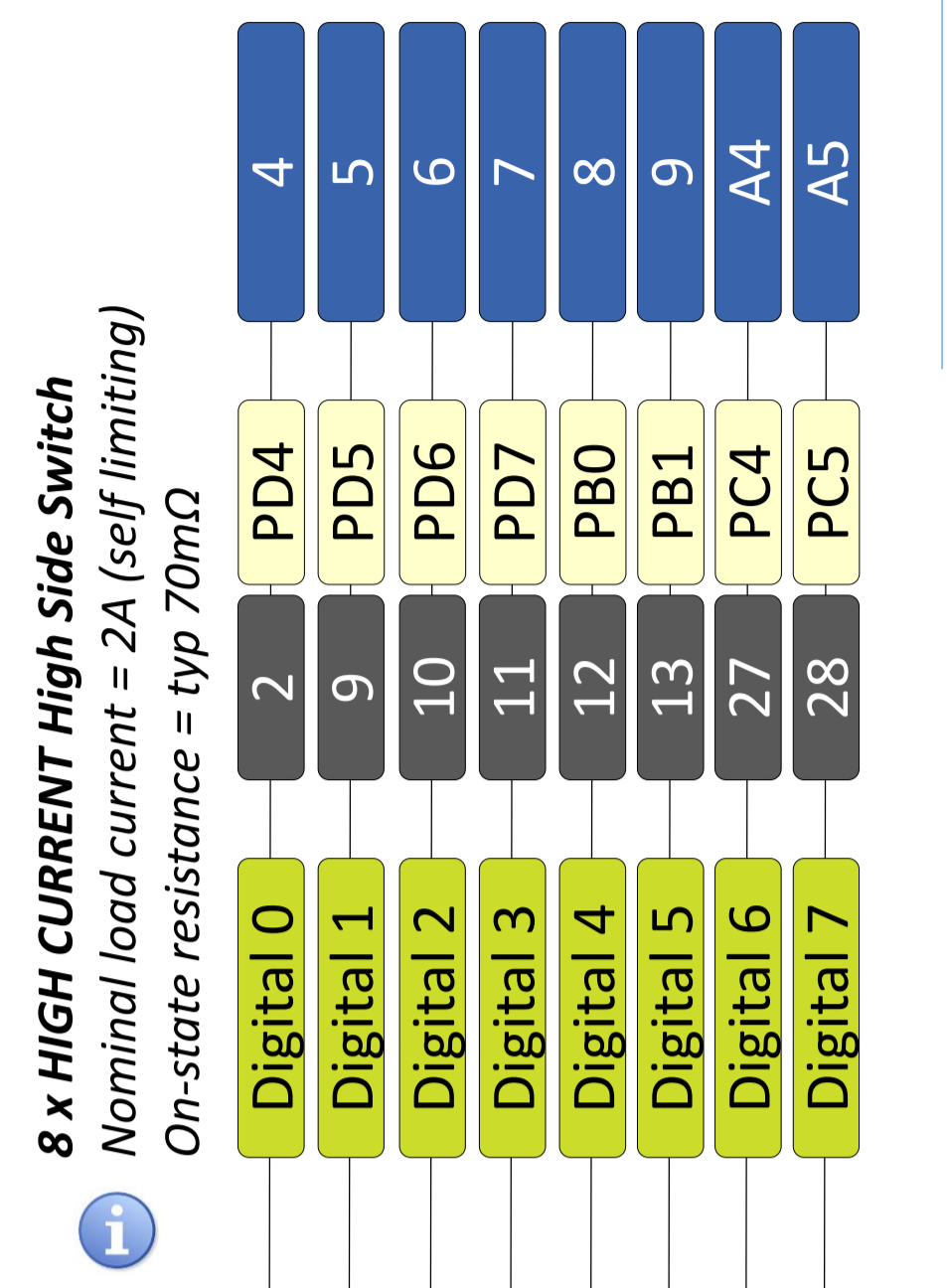


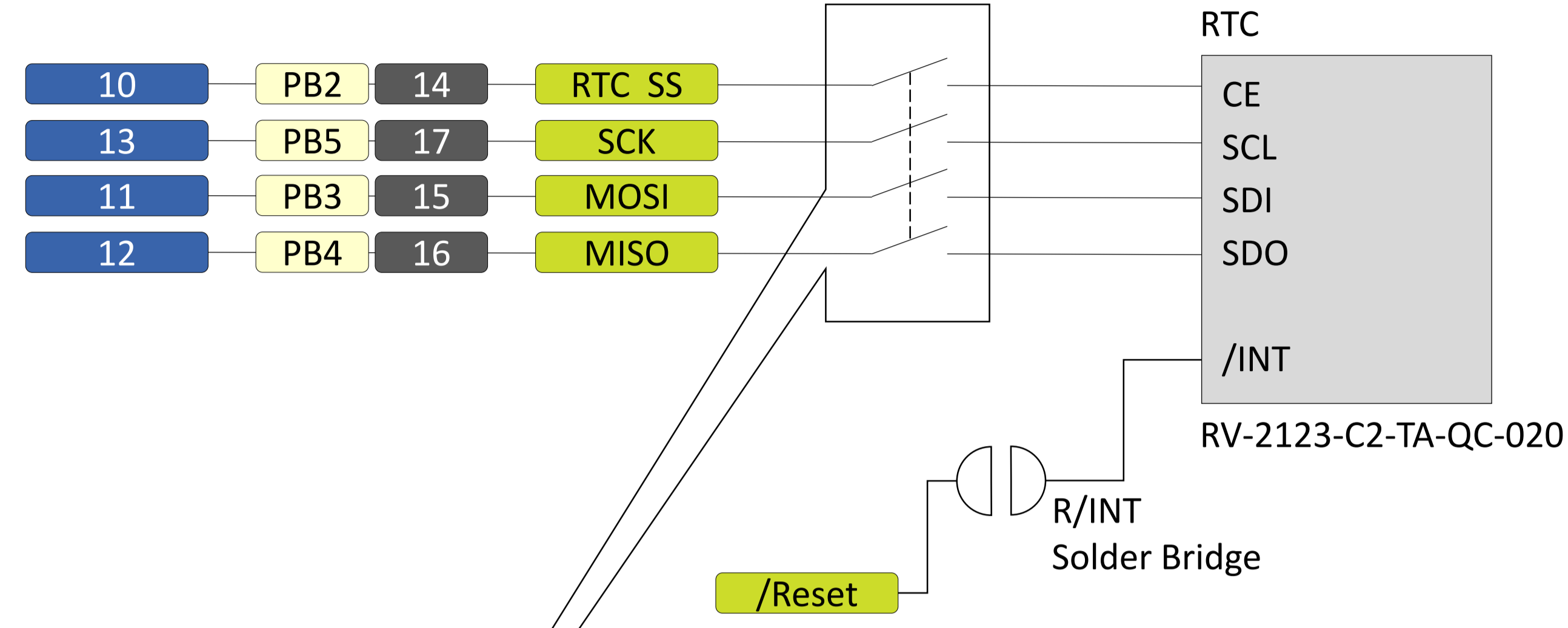
Digital Outputs 0-5 are parallel to Relay Outputs 0-5



Signal inputs
Logic "0" level: 0V - 3,6V (Vin=12V), 0V-7,2V (Vin=24V)
Logic "1" level: 9V - 13,2V (Vin=12V), 18V-26,4V (Vin=24V)
Maximum input current <3mA
Voltage range in case of analog input use
0 - 13,2V (Vin=12V) / 0 - 26,4V (Vin=24V)

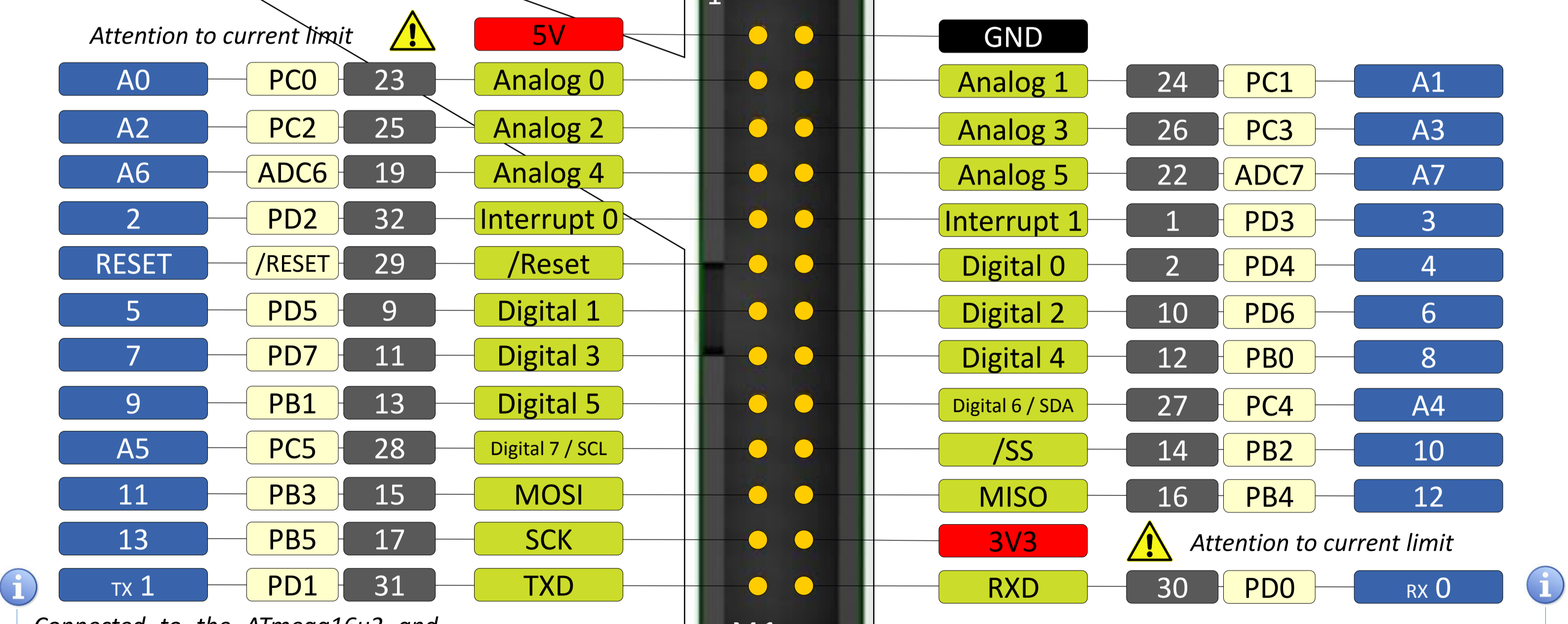


A4 + A5 only Analog Inputs



Not proper handling of the RTC /INT output can cause permanent Controllino reset if solder bridge is closed

Pin Header is only for 5V!!!
current limit:
Absolute max per pin 40mA
recommended 20mA
Absolute max 200mA
for entire Pin Header
Current limit @5V + 3V3 max
200mA (Fused by resettable fuse)
Current limit @3V3 only 150mA
All signals are protected with serial
resistance



Connected to the ATmega16u2 and used for USB programming and communication with PC

GND
POWER
CONTROLLINO Function
PHYSICAL PIN
PORT PIN
ARDUINO UNO Board

General Information
Pay attention

CHIP used ATmega 328P-AU

Controllino

MINI

PINOUT V1.2